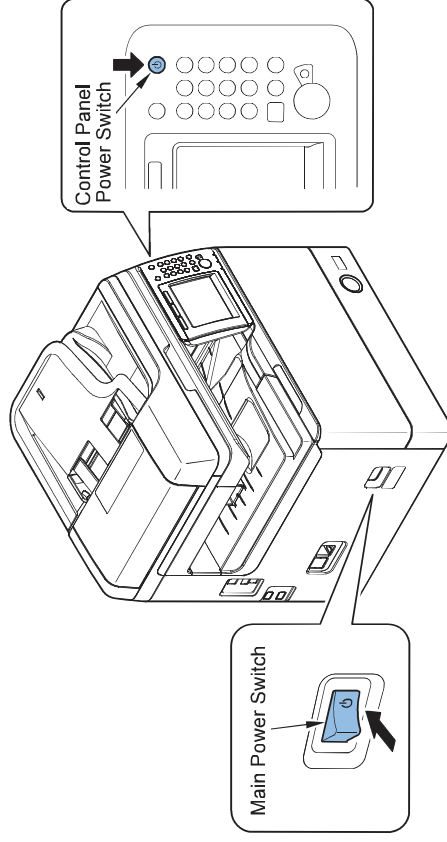


Operation

Power Switch

Types of Power Switches



F-1-12

This machine has the Main Power Switch and the Control Panel Power Switch.

[1] Main Power Switch

This switch is used to turn OFF / ON the power of host machine.

[2] Control Panel Power Switch

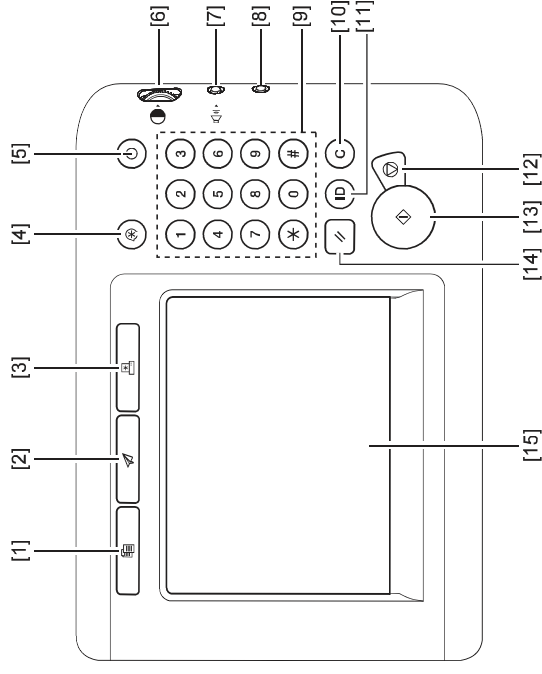
This switch is used to enter the energy saver mode or recover to the normal mode.

Points to Note on Turning ON/OFF the Power Switch

- Be sure to turn OFF the main power switch when turning OFF the power. (The conventional shut-down sequence process is not needed.)
- After turning OFF the power (after turning OFF the Main Power Switch), do not turn ON the main power switch again unless the screen disappears.
- Do not turn OFF the power during downloading

Description of Control Panel

Control Panel



F-1-13

- | | | | |
|-----|-----------------------------------|------|-------------------------|
| [1] | Copy Key | [9] | Numeric Key |
| [2] | Send Key | [10] | Clear Key |
| [3] | Remote Scanner/Expansion Key | [11] | ID (Authentication) Key |
| [4] | Initial Settings/Registration Key | [12] | Stop Key |
| [5] | Control Panel Power Switch | [13] | Start Key |
| [6] | Screen Contrast Dial | [14] | Reset Key |
| [7] | Volume Adjustment Key | [15] | Touch Panel Display |
| [8] | Counter Check Key | | |